

# TUBULAR ROLL UP SHUTTER TONDIDO– SIMPLE AND REINFORCED

## Description

Shutter TONDINO made of 2 galvanized steel waved rods of 10mm diameter, shaped to compose rhombuses, linked together with galvanized ribbed bands. In the TONDINO Reinforced a third straight tube is interposed between the 2 waved tubes.

Vertical sliding with upper roll up.

Bottom slat height 485 mm, made of 3 blank slats + the bottom slat with handle and gasket stops.

On the top there are 2 or 3 blank slats for the roll up of the shaft.

It can be used as an insert for ventilation in blank shutters P.115.

Conform to UNI EN 13241-1 **CE**

The shutters exposed to the wind, for instance in case of façade installation, must have the Class 2 conforming with the EN 12424.

## Carachetristics and materials

Tube	Pieno Ø10	
Material	Acciaio zincato	
Weight –Tondino Simple	[kg/m <sup>2</sup> ]	12,00
Weight –Tondino Reinforced	[kg/m <sup>2</sup> ]	17,00
Max. Width	[m]	7,50
Spaces of use	Shops - Various	

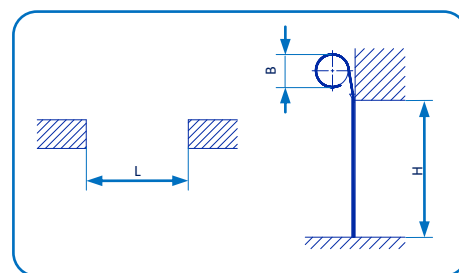
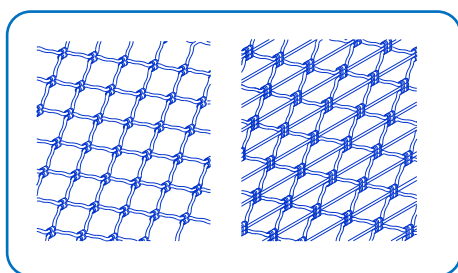
## Dimensions

The values are approximates. For specific details contact our Technical Department.

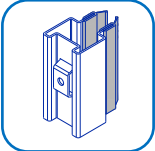
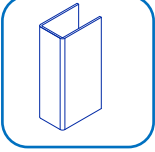

In case of rotating shaft the minimum vertical space is 500 mm (motor + supports).

In the case of shutter with spring holder or octagonal shaft D.70 look at the following chart.; for values of dimensions related to other materials, please contact our Technical Department.

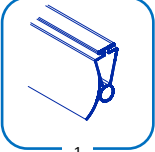
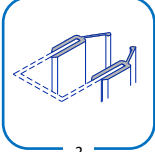
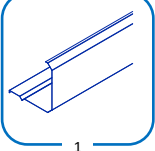
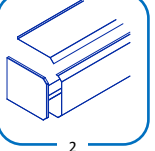
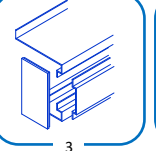
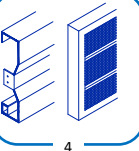

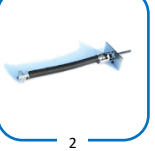


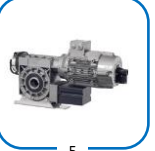

H Height	B – Roll Diameter																						
	Spring shaft										Octagonal D. 70 con adattatore D. 133												
	370	370	370	390	390	390	390	-	-	-	-	-	-	-	-	370	-	-	-	-	-	-	-
5000	370	370	370	390	390	390	390	-	-	-	-	-	-	-	-	370	-	-	-	-	-	-	-
4500	355	355	355	355	380	380	380	380	-	-	-	-	-	-	-	355	355	-	-	-	-	-	-
4000	340	340	340	340	370	370	370	370	370	-	-	-	-	-	-	340	340	-	-	-	-	-	-
3500	325	325	325	325	325	360	360	360	360	360	360	-	-	-	-	325	325	325	-	-	-	-	-
3000	310	310	310	310	310	310	350	350	350	350	350	350	350	-	310	310	310	310	-	-	-	-	-
2500	295	295	295	295	295	295	340	340	340	340	340	340	340	370	295	295	295	295	-	-	-	-	-
2000	280	280	280	280	280	280	320	320	320	320	320	320	320	320	280	280	280	280	280	-	-	-	-
	1500	2000	2500	3000	3500	4000	4500	5000	5500	6000	6500	6750	7000	7500	1500	2000	2500	3000	3500	4000	4500	5000	
	L - Width																						



## Sliding guides

<p>Molded guide 60x50 in galvanized steel, thickness 2,0mm With gasket for installation within and behind the opening</p>	
<p>U profiled guides in galvanized steel thickness 1,5 mm - 40 x 22 x 40 width up to 2500 mm - 40 x 25 x 40 width up to 4400 mm - 50 x 25 x 50 width up to 5600 mm - 70 x 27 x 70 width up to 7500 mm</p>	
<p>G profiled guides in galvanized steel thickness 2,0 mm - 60 x 60 – 80 x 60 – 80 x 80 – 100 x 80 - for shutters having a winding diameter higher than 450 mm - for installation behind the opening</p>	

## Accessories

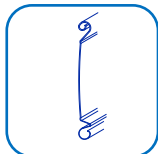
<h3>Anti-noise system</h3>	
<ol style="list-style-type: none"> <li>1. Rubber Gasket applied to the bottom slat</li> <li>2. Gasket in PVC</li> </ol>	 
<h3>Top and Lid</h3>	
<ol style="list-style-type: none"> <li>1. Front panel</li> <li>2. Carter composed by front panel, front upper and pair carter clips</li> <li>3. Carter with removable front panel</li> <li>4. External lid in galvanized sheet or composed by micro-perforated/blank elements P.115</li> </ol>	   
<h3>Automation</h3>	
<ol style="list-style-type: none"> <li>1. Manual operation for shaft with spring Round shaft <math>\varnothing</math> 48 – 60 – 76 – 89 – 101</li> <li>2. Manual operation with torsional spring Octagonal shaft L. 70 – 102</li> <li>3. Axial motor for shaft with spring Round shaft <math>\varnothing</math> 48 – 60 – 76 – 89 – 101</li> <li>4. Tubular motor Octagonal shaft L. 70</li> <li>5. Side motor Round shaft <math>\varnothing</math> 193 – 219 – 244 – 273 – 323 – 406</li> <li>6. Forza motor Octagonal shaft L. 70 – 102</li> </ol>	     

## Finishing

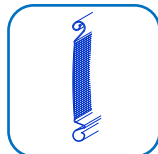
Verniciatura a fuoco RAL Standard					
1000	Beige verde	7004	Grigio segnale F14	8017	Marrone cioccolato
1001	Beige	7016	Grigio antracite	8019	Marrone grigio
1013	Bianco Perla	7021	Grigio scuro	8024	Marrone beige
1015	Avorio chiaro	7024	Grigio grafite	9001	Bianco crema
6005	Verde muschio	7040	Grigio finestra	9002	Bianco grigio
6009	Verde abete	7046	Grigio Tel. 2	9005	Nero profondo
6015	Oliva scuro	7047	Grigio Tel. 4	9010	Bianco puro
6019	Verde bianco	8004	Marrone rame	9011	Nero grafite
6023	Verde montana	8011	Marrone noce	9016	Bianco traffico
7000	Grigio vaio	8014	Marrone seppia		
7001	Grigio argento	8016	Marrone mogano		

Verniciatura a fuoco Speciali	
RAL 9006	Grey Arsonsisi
Yellow / Red/ Blu	Metallic black
White: Marble (smooth) – Ancient marble (rough)	Black/Brown. Sandy (rough)
Grey: Marble (smooth) - Ancient marble (rough)	Sandy 900
Brown: Marble (smooth) – Ancient Marble (rough)	Gunmetal
Green: Marble (smooth) – Ancient Marble (rough)	Gold for external use
Red: Marble (smooth)	Hammered brown for external use

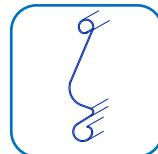
## The complete range of rolling shutter



Blank P.115



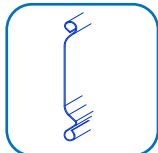
Micro-perforated P.115



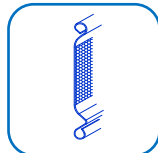
Blank P.97



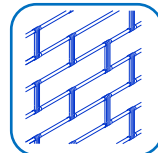
Micro-perforated P.97



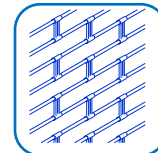
Blank P.73



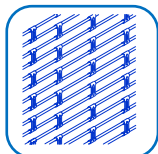
Micro-perforated P.73



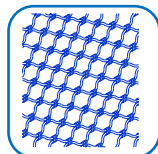
Tubular P.120



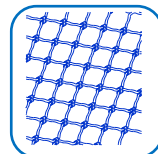
Tubular P.95



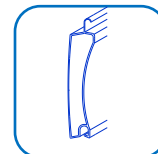
Tubular P.60



Tubonda



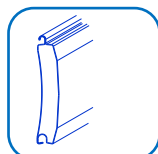
Tondino



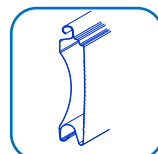
Insulated DP.77



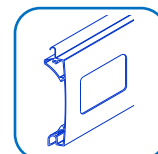
Insulated DP.105



Insulated F.100



Insulated F.140



Windowed



Details and images in this leaflet are not binding.  
Conegliano Serramenti s.r.l. reserve the right to modify them without notice at any time.

### Conegliano Serramenti S.r.l

Via Campolongo 1/E Loc.Ramera Z.I. / 31010 Mareno di Piave – Treviso - Italy

Tel: +39 0438.4985 Fax: +39 0438.498540 / Web site: [www.coneglianoserramenti.it](http://www.coneglianoserramenti.it) [www.forza-motion.com](http://www.forza-motion.com)

P.I. e C.F.: 00532460268- N.Reg.Imp.di TV 8758 / Capitale Sociale i.v.: € 78.000,00 – Capitale esistente al 31.12.15 € 78.000,00i.v.